
Large Flat Heads/A-40,60 S-40,60

Ideal for general push/crush testing



[Application]

The large flat head is installed on the Imada's force gauge for compression test of various test pieces.

The head is suitable for the crush test of tablet or polyethylene terephthalate bottles.

[Feature]

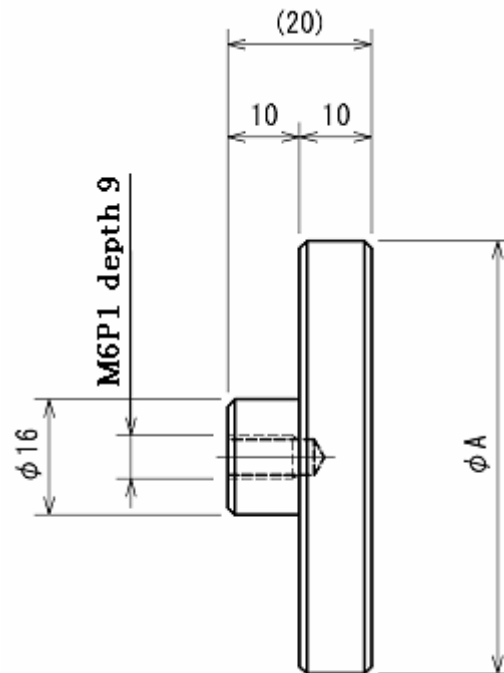
The large flat head is light and suitable for measuring minute force.

(A-40, 60 : Aluminum)

[Specifications]

| | A-40 | A-60 | S-40 | S-60 |
|-------------------------|----------------------------------|---------------|---------------|---------------|
| Outer diameter[A] | Diameter 40mm | Diameter 60mm | Diameter 40mm | Diameter 60mm |
| Material | Aluminum | | Steel | |
| Capacity | 200N | | 500N | |
| Mounting screw | M6 P1 | | | |
| Dimension | Refer to the dimensional drawing | | | |
| Weight | 38 g | 84 g | 110 g | 238 g |
| Recommended force gauge | PS/FB/DPS/DPX/DPZ series | | | |
| | From 4.9N | From 9.8N | From 19.8N | From 29.4N |

[Dimensional drawing]



[Precaution]

- Combining with Imada's test stand, more stable measuring becomes possible.
- All information is subject to change without prior notice