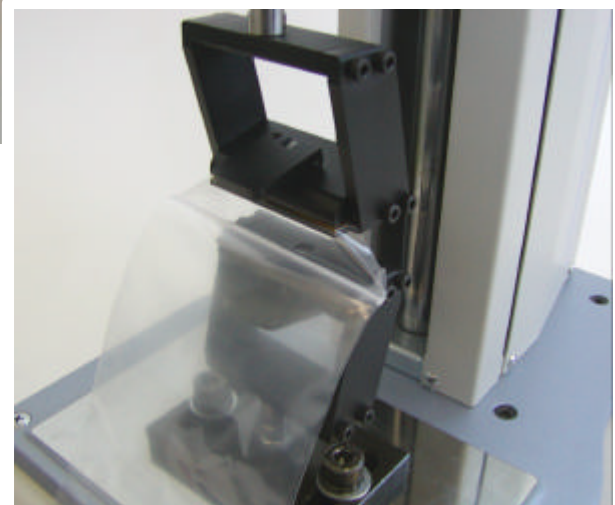
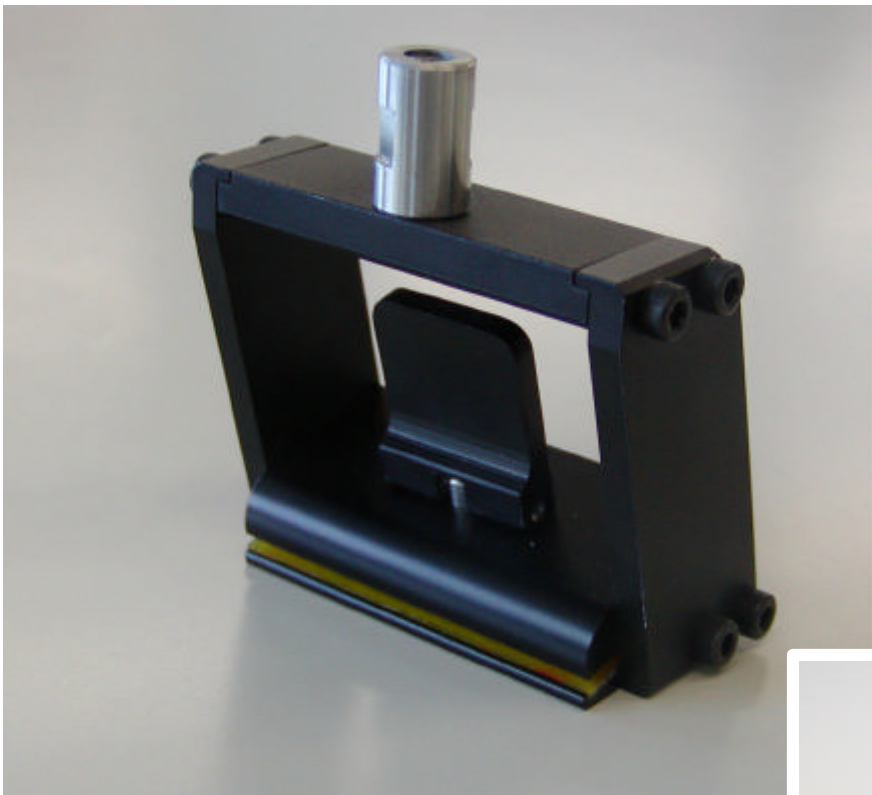


Slant film grips / CH-50U

The most suitable for an opening strength test of zipper bags



[Applications]

For various material testing such as film.
The opening strength measurement of a zipper bag.

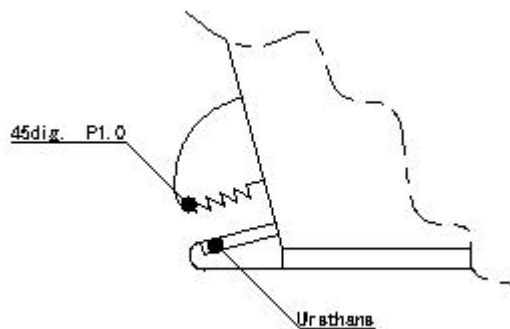
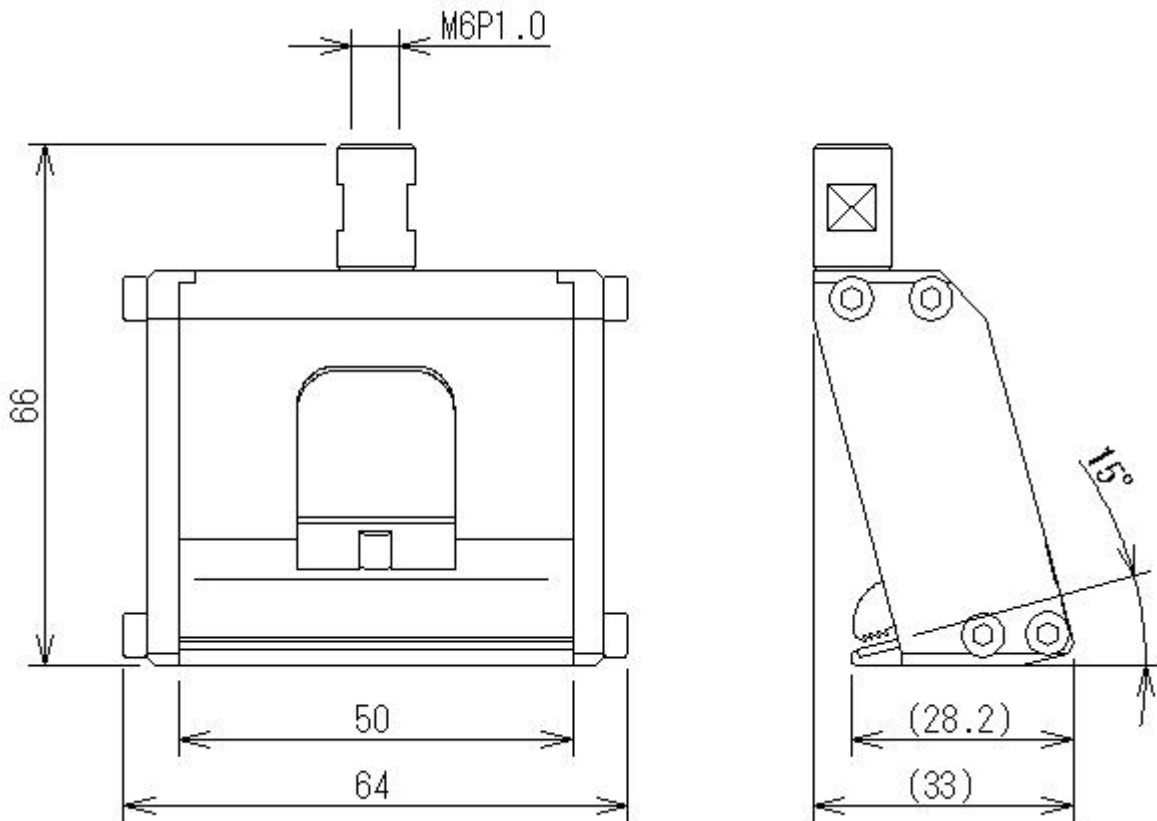
[Feature]

Grip angle 15 degrees.
Easy sample set up by one-touch lever operation.
Urethane grip is suitable for thin film such as 10-25 micron for the reason of preventing slipping.
Urethane grip reduces the risk of cutting a sample by grip itself.

[Specifications]

	CH-50U
Main materials	Aluminum
Capacity	100N
Weight	Approx. 100g
Opening range	Approx. 1mm

[Dimensions]



[Detail]

[NOTICE]

Design, appearance, and specifications may be changed for modification or improvement without any prior notice.

Specific material and appearance may not be used. Please contact us for detail.