

Grip Mounting Plate/GF-1

Grip mounting plate on the test stand table



[Application]

The grip mounting plate is installed on the Imada's test stand to mount various range of our optional attachments.

[Feature]

It is mounted on Imada's vertical test stand (SV / HV / MV series). Alignment of the sensing shaft of a force gauge is possible by the slotted hole of the grip mounting plate.

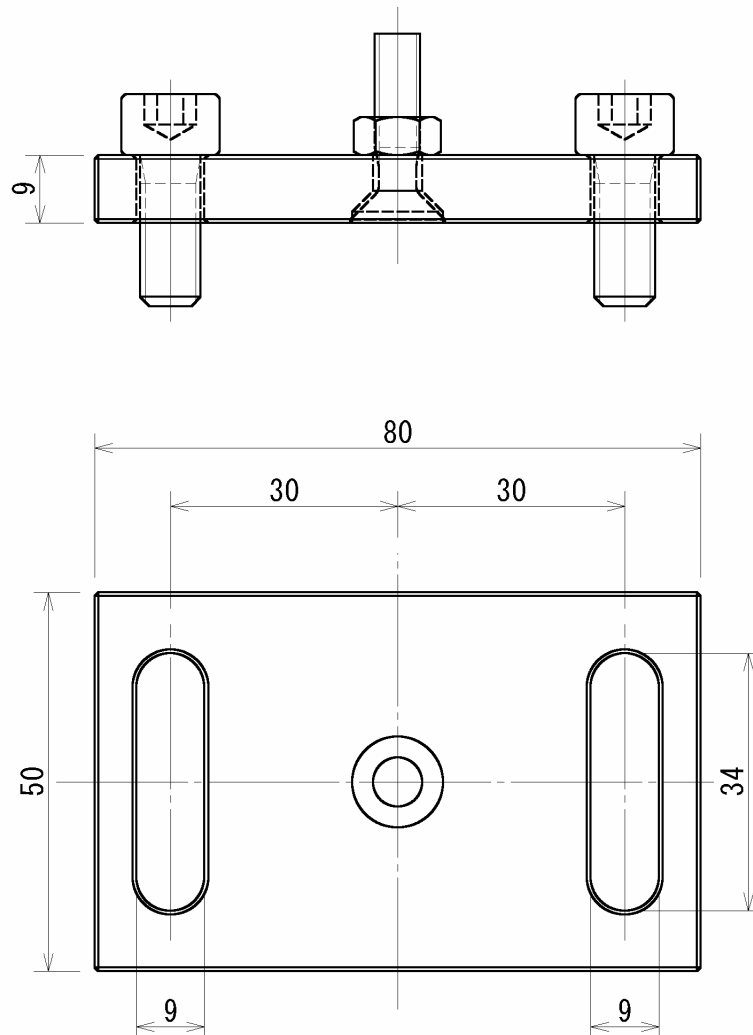
[Specifications]

	GF-1
Capacity	1000N
Mounting pitch	60 mm
Dimension	Refer to the dimensional drawing below
Weight	Approx. 240 g
Attachment	Grip mounting screw M6P1×L25 + Nut 1 set Stand mounting screw Cap screw M8P1.25×L20 2 pcs
The recommended test stand	SV-1,2 Note 1)

Note 1)

The test stand HV-500NII, -HV-100W / MV-500NII, MX-500N or MV-100AC(BA) comes with GF-1 as standard accessory.

[Dimensional drawing]



[Note]

All information is subject to change without prior notice.