

# Hand Held Torque Gauge

---

## HTG2 series

### Hand held torque gauge



HTG2-2N, 5N, 200Nc, 500Nc



HTG2-10N, 1000Nc



Optional tips of sensor unit

#### [Applications]

1. Both squeeze and return torque measurement of screws or bolts
2. Destructive examination and strength check of a screws or bolts
3. Torque measurement of rotary switch
4. Rotation resistance of motor axis



#### [Features]

1. Bearing support of a measurement axis is adopted, and the reliability of measurement increased.
2. Peak hold function
3. Comparator function which can program Hi/Lo set point., and memory function.
4. Overload warning by flashing LED
5. It is PC connectable through RS-232C and programable
6. Selectable three units (N·m, Kgf·m, and lb·in)

## [Specifications]

Measuring Units	N·m, kgf·m, or lbf·in selectable (*1)	
Display	4 digit LCD-Unit-Mode-OVL warning LED-Comparator LED	
Sampling rate	1000 times per second	
Display update	10 times per second	
Capacity	150% F.S. (LED will flash at 110% of F.S.)	
Measuring tip	0.5~6.5mm diameter pin chuck (*2)	
A/D converter	24bit delta sigma	
CPU	8bit 1 chip microprocessor	
Accuracy	+/- 0.5%F.S +/-1 digit	
Battery use time	Approx. continuation 8 hours with full charge (Approx. 10 hours for charging)	
Temperature range	0~+40 degree Celsius	
Power	Rechargeable NiMH battery pack (4pcs) or AC adapter	
Dimension	See dimensions	
Weight	Display	Approx. 410g
	Sensor	HTG2-2N,5N:approx. 530g HTG2-10N:approx. 600g
Output	Digital(serial:RS232C) Mitutoyo Digimatic Analog (approx. +/-2VFS) Comparator output signal(open collector MAX30V10mA) Overload output signal (open collector MAX30V10mA)	
Comparator function	Color coded LED indicates below, within, or above set point value	
Memory function	Up to 1000 measurement values	
Peak function	CW(clockwise) AND CCW(counter clockwise) or CW OR CCW	
Alarm function	Overload	
	+NG (ON/OFF selectable)	
Other functions	Auto zero clear (1.0~25.5 sec set up), Damping function	
External switch	Hold(Send), Zero rest, Peak/Track selection	
Auto power off	5, 10, 30, 60 min, or OFF selectable	
Standard accessories	AC adapter (*3), Sensor cable : 35cm, Carrying case, Handles (only for HTG2-10N model)	

(\*1) The measured value change to N·cm is possible as an option. Please look at “Measured value display” for details.

(\*2) Change of measuring tip is possible as an option. Please look at “Measuring tip” for details.

(\*3) Since commercial power supply voltage is varied in the area, three types (100V, 120V, 230V) of voltage adapters are available. Please specify the confirmed voltage for the commercial power supply when you order.

## [Available models]

Model	Capacity	Display	Resolution
HTG2-2N	2N·m(200gf·m)	2.000N·m(200.0gf·m)	0.001N·m(0.1gf·m)
HTG2-5N	5N·m(500gf·m)	5.000N·m(500.0gf·m)	0.001N·m(0.1gf·m)
HTG2-10N	10N·m(1kgf·m)	10.00N·m(1.000kgf·m)	0.01N·m(0.001kgf·m)

## [Measured value display]

In HTG2 series, the measured unit change to N·cm is possible. Please place an order for change to N·cm by the following model name.

Model	Capacity	Display	Resolution
HTG2-200Nc	200N·cm(20kgf·cm)	200.0N·cm(20.00kgf·cm)	0.1N·cm(0.01kgf·cm)
HTG2-500Nc	500N·cm(50kgf·cm)	500.0N·cm(50.00kgf·cm)	0.1N·cm(0.01kgf·cm)
HTG2-1000Nc	1000N·cm(100kgf·cm)	1000N·cm(100.0kgf·cm)	1N·cm(0.1kgf·cm)

## [Measuring tip]

In HTG2 series, change of measuring tip is available. Please attach the number of the following table to a form end, and place an order with it.

Suffix	Model	Discription	Shape	Weight
1	TA-01	Square snap on socket	9.5mm square snap on socket	Approx.100g
2	TA-02	Torque Driver	Includes screw driver tips + : No.1x50mm + : No.2x50mm - : 6.3x50mm	Approx.100g
3	TA-03	Large pin chuck	1.2~13 diameter pin chuck	Approx.100g

Example)

When you choose TA-01 as sensor tip,

————→ HTG-2N-1

## [Optional 50N·cm sensor unit specification]

We also can supply the capacity of 50N·cm sensor unit.

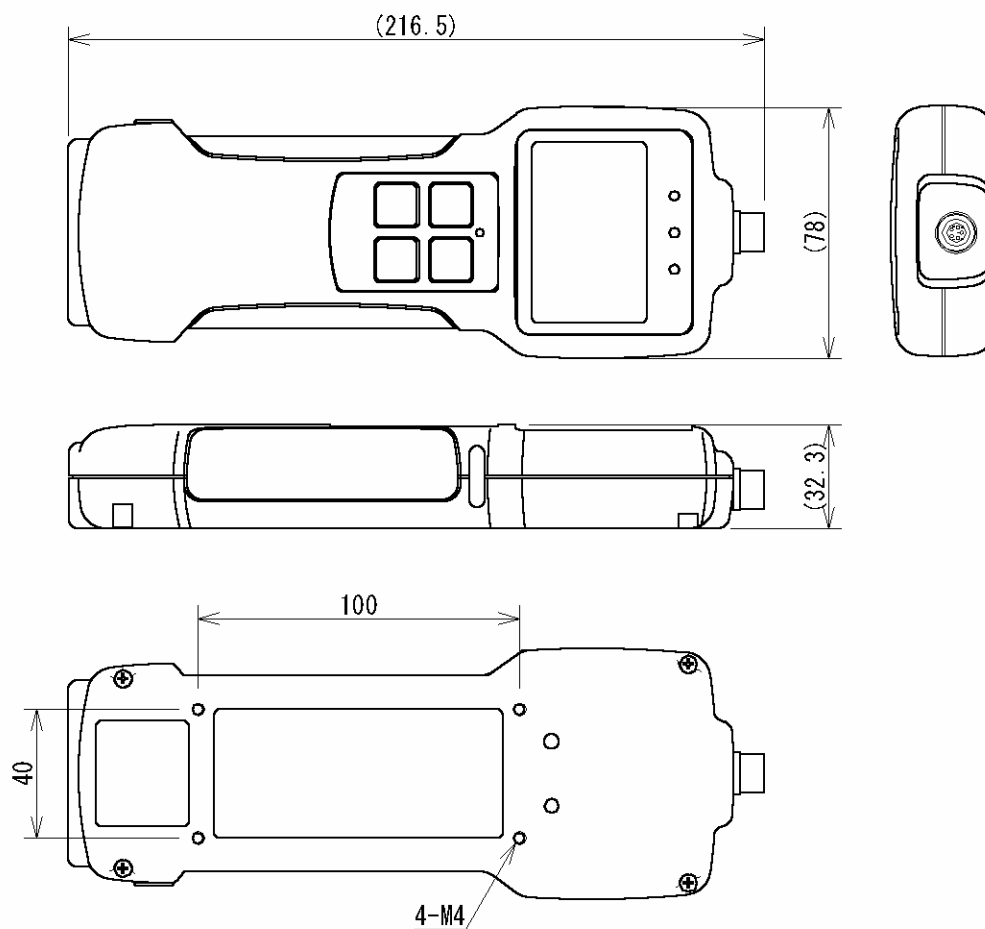
The tip of sensor unit is pin chuck whose diameter is 0.5 to 4mm.

Please ask us for the detail.

Model	Capacity	Display	Resolutions
HTG2-50Nc	50N·cm	50.00N·cm	0.01N·cm

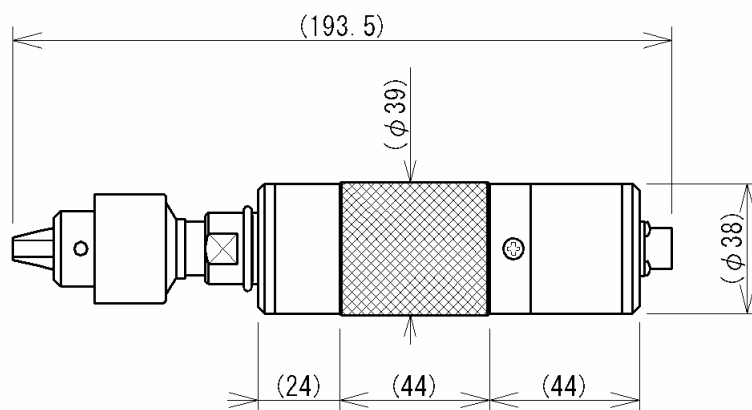
[Dimension]

HTG2 series (Display part)

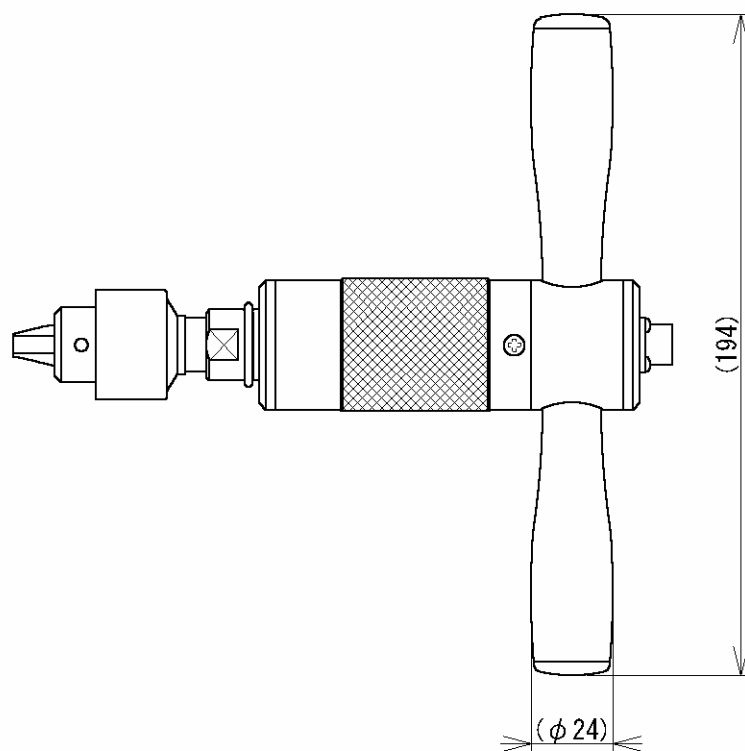


Sensor part

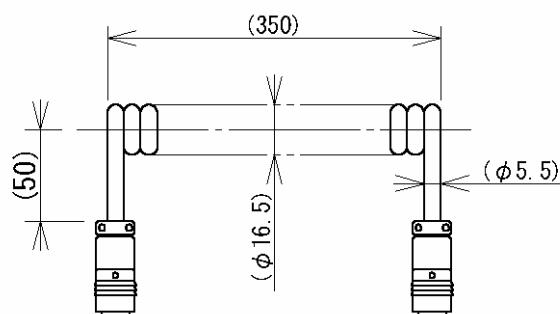
HTG2-2N, 5N, 200Nc, 500Nc



Sensor part  
HTG2-10N, 1000Nc



Sensor cable



[Note]

- Do not apply excess torque, force, or impact on the measuring axis regardless to the power is on/off.
- Do not use the gauge under the condition of the rapid temperature changes, high temperature, high humidity, near water and dusty place.
- Keep the gauge in the exclusive carrying case when it is not used.
- All information is subject to change without prior notice.