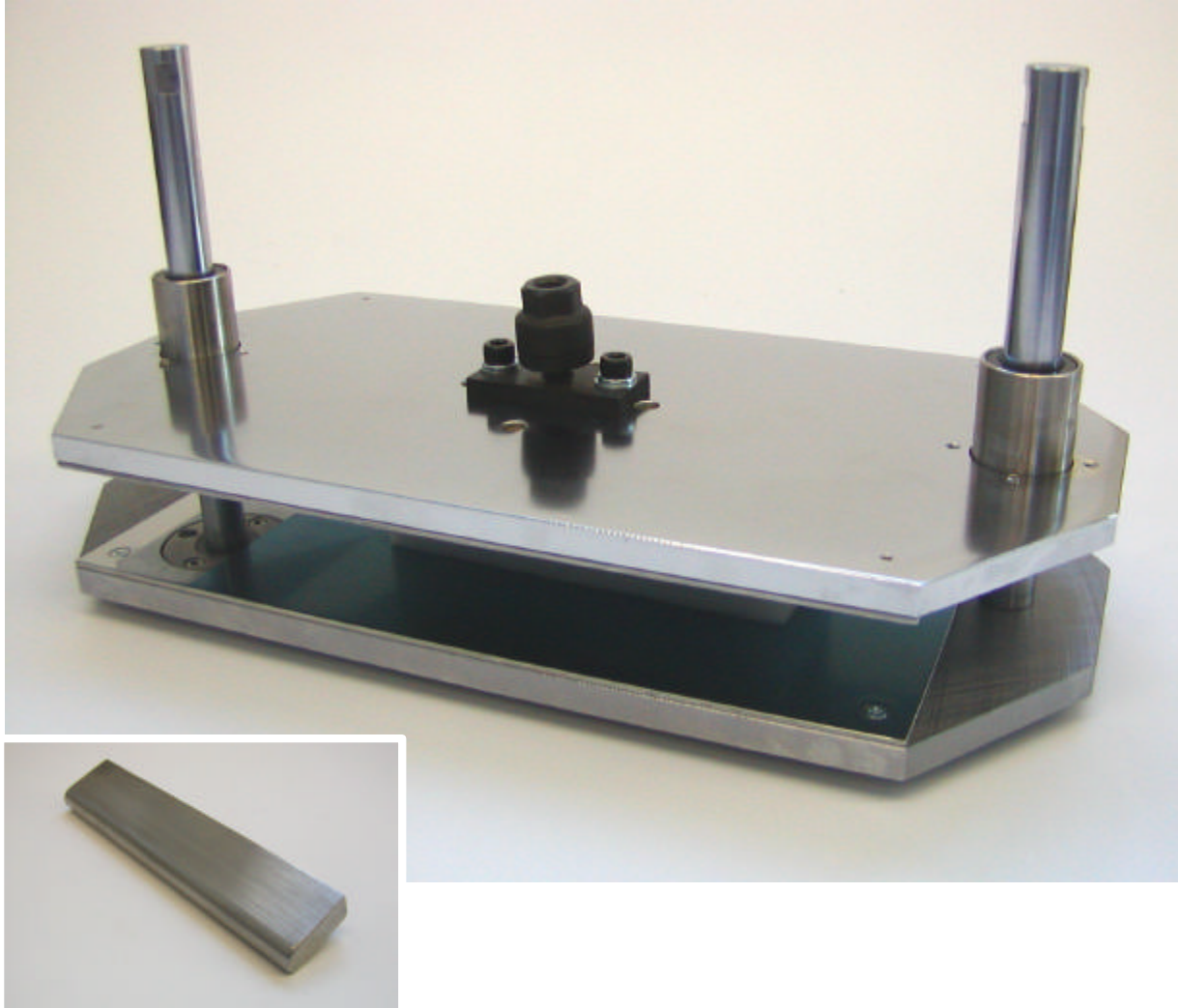


## Fixture for burst strength test of tube and bag

---

### Attachment for press / PR-2000



A jig for tube compression (R5-W120)

#### [Applications]

- Seal strength of a package, food package, medicine and cosmetics.
- Seal strength of a tube.

#### [Feature]

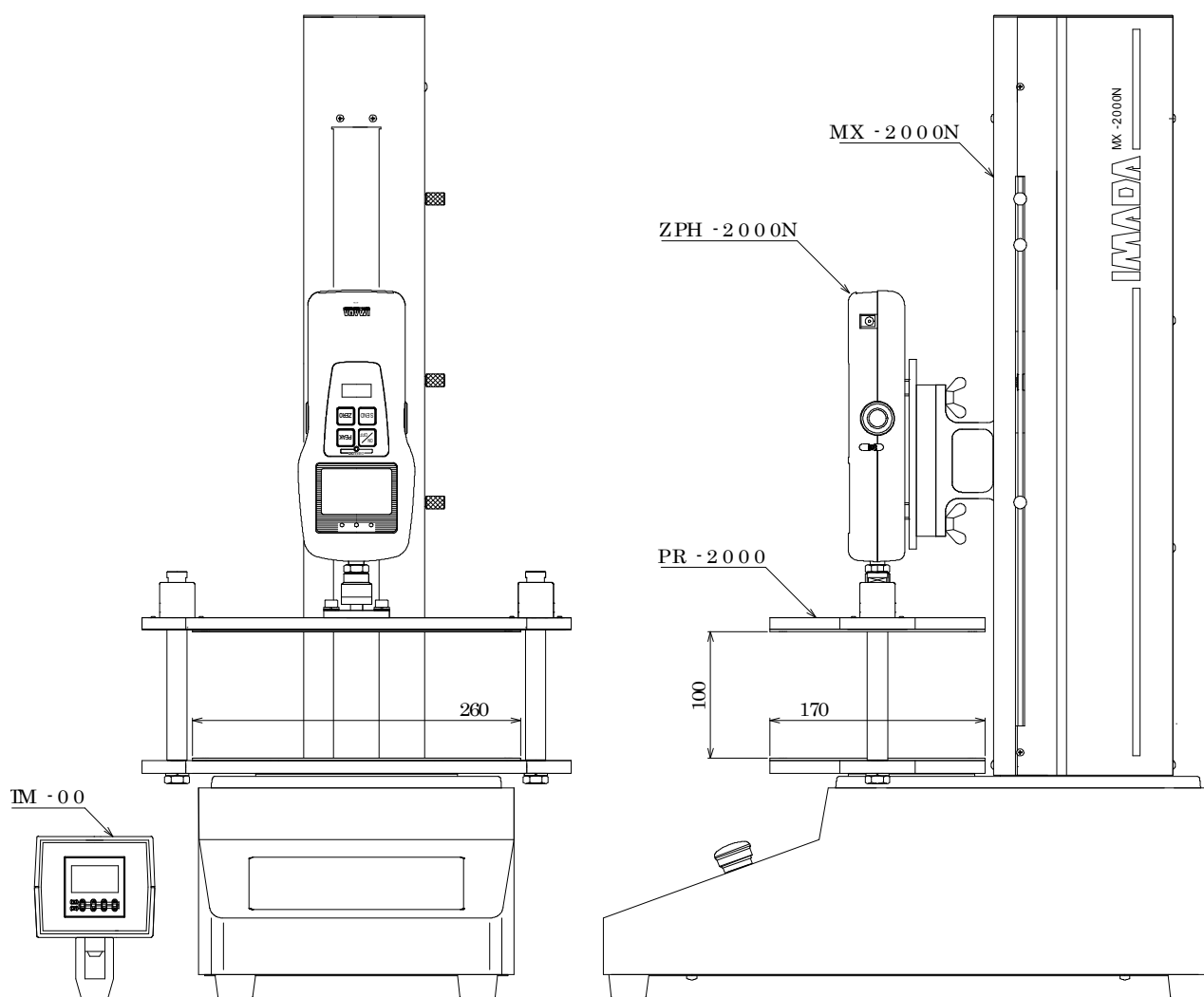
- Compress packages and use this for burst strength test.
- Using timer unit TM-00, it is possible to apply specific force at certain time.
- In addition, a tube-shaped package can be measured by R5-W120. (Included with PR-2000)

## [Specifications]

Capacity	2000N
Weight	All Weight 9.5kg Upper 4.5kg Bottom 5kg Tube jig 230g
Measurement maximum dimensions	W260 x D170 x H100 mm (tube compression jig installation, 75mm high)
Recommended combination	Motorized test stand MX-2000N Timer TM-00 Optional cable CB-501 (This is included in TM-00) Digital force gauge ZPH-2000N or Z2H-2000N Press attachment PR-2000 *1

\* 1 It is possible to supply special size.

## [Dimensions]



## [NOTICE]

-Subject to change without notice!