
Small Grips/SC series

Ideal for measuring of small diameter test pieces
in a small area



SC-3

[Application]

The small grip is installed on the Imada's force gauge as an attachment for tensile test of various test pieces.

[Feature]

The small grips are suitable for gripping the test piece like small diameter wires, pins, etc.

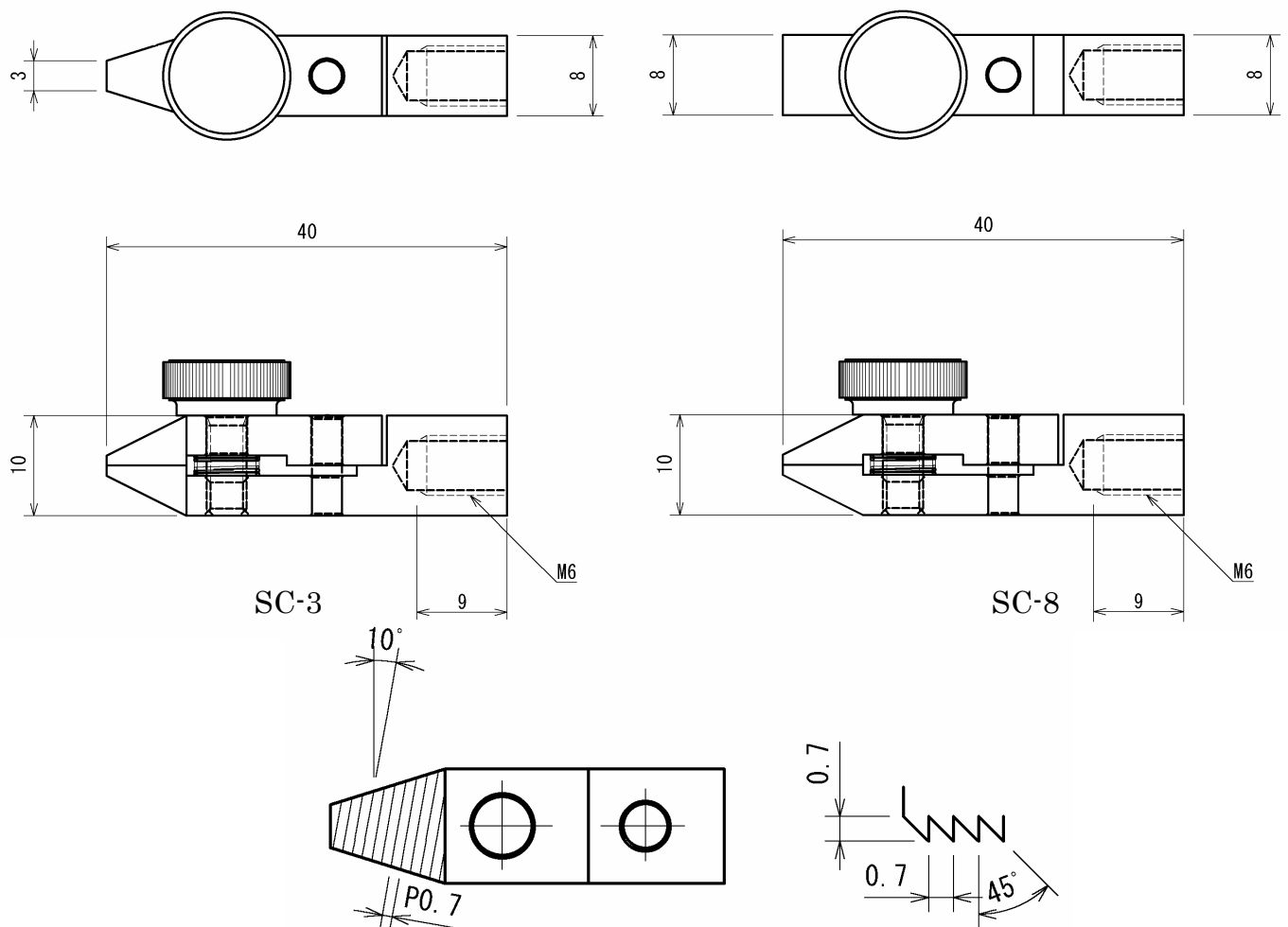
They are light grips suitable for measuring minute force.

They can be used in a small area.

[Specifications]

	SC-3	SC-8
Jaw face width	3 mm	8 mm
Opening range	Max 1 mm	
Capacity	100N	150N
Mounting screw	M6 P1	
Dimension	W40×D8×(H15)	
Weight	20 g	21 g
Recommended force gauge	PS/FB/DPS/DPX/DPZ series 2.4N to 500N	

[Dimensional drawing]



[Reference] Serration detail

[Precaution]

- The small grips can not grip particular material or shape.
- Combining with Imada's test stand, more stable measuring becomes possible.
- All information is subject to change without prior notice.